

GR SERIES

RELAY SOCKETS



DESCRIPTION

8 Pin Midget Sockets

ELECTRICAL RATING

- 300 Volts, 10 Amps
- 150 Volts, 15 Amps

CONSTRUCTION

- Contacts** • Brass, Nickel Plated
- Screws** • Binder Head, 6 - 32 x 1/4" Steel, Zinc Plated
- Pressure Clamp, 6- 32 x 5/16" Steel, Zinc Plated, Wire Range #12 - #22 Solid or Stranded
- Molding** • Break Resistant Thermoplastic Black Standard, Grey Available

AGENCY APPROVALS

- UL recognized, File No. E60008
- CSA certified, File No. LR29513
- CE



ORDERING CODE

PART NO.

GR108
GR108-PC

DESCRIPTION

DPDT, 8 Pin Midget
DPDT, 8 Pin Midget

TERMINAL TYPE

Binder Head Screws
Pressure Clamp Screws

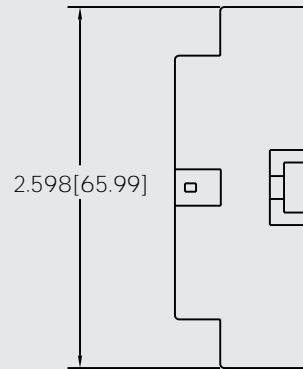
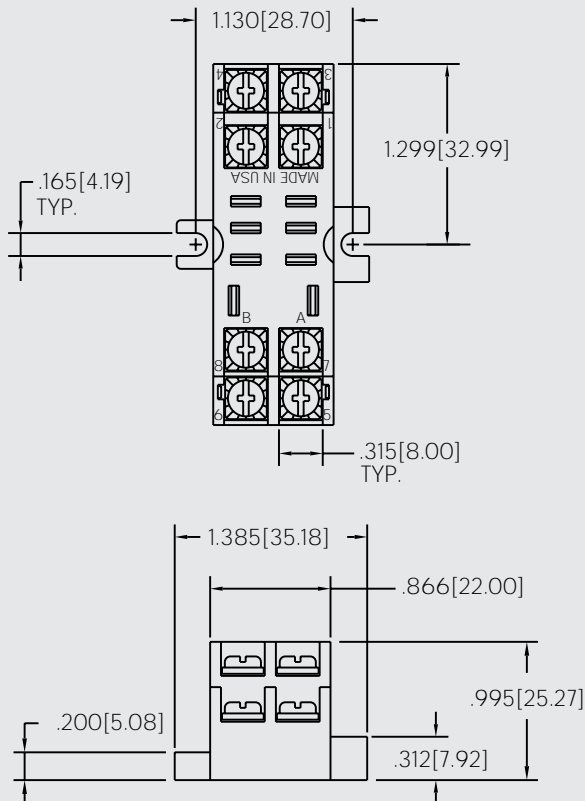
ACCESSORIES

PART NO.

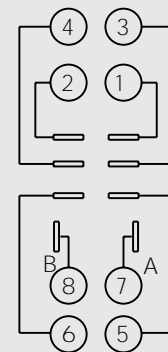
HDB-4

DESCRIPTION (Refer to the accessories pages 25-27))

Hold Down Spring



TERMINAL LOCATION




TOP VIEW

GR

GR SERIES

RELAY SOCKETS

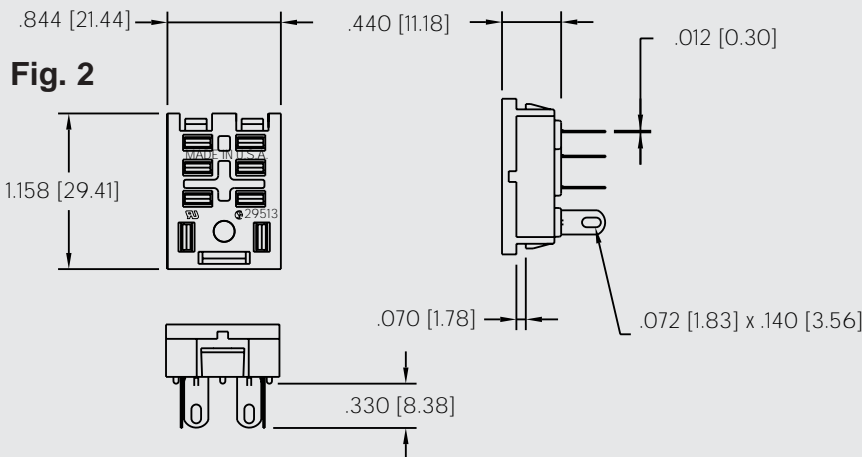
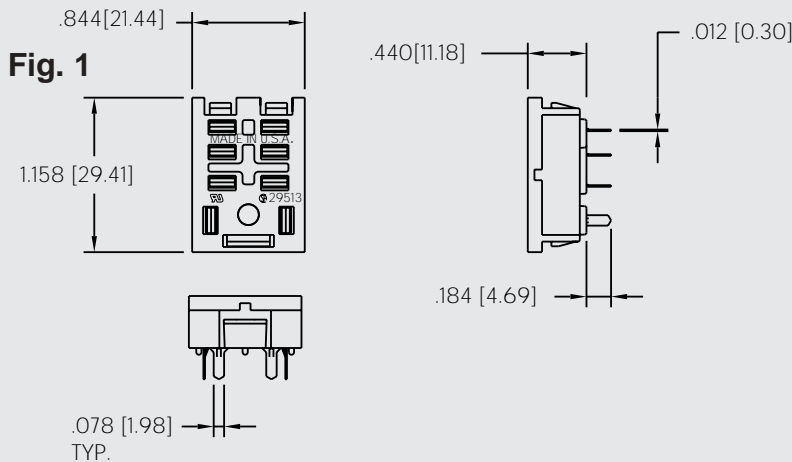
DESCRIPTION	5 and 8 Pin Midget Sockets	
ELECTRICAL RATING	• 300 Volts, 10 Amps	
CONSTRUCTION	Contacts	• Brass, Bright Tin Plated
	Molding	• Break Resistant Thermoplastic
AGENCY APPROVALS	• UL recognized, File No. E60008	
	• CSA certified, File No. LR29513	
	• CE	

ORDERING CODE

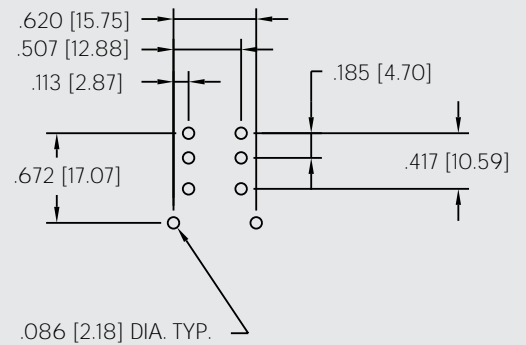
PART NO.	DESCRIPTION	TERMINAL TYPE
GR105-PCB	SPDT, 5 Pin Midget (Fig. 1)	PC Board
GR105-SLD	SPDT, 5 Pin Midget (Fig. 2)	Solder
GR108-PCB	DPDT, 8 Pin Midget (Fig. 1)	PC Board
GR108-SLD	DPDT, 8 Pin Midget (Fig. 2)	Solder

ACCESSORIES

PART NO.	DESCRIPTION (Refer to the accessories pages 25-27)
HDB-4	Hold Down Spring
HDB-9	Hold Down Spring



PC BOARD LAYOUT



PANEL CUT-OUT SIZE



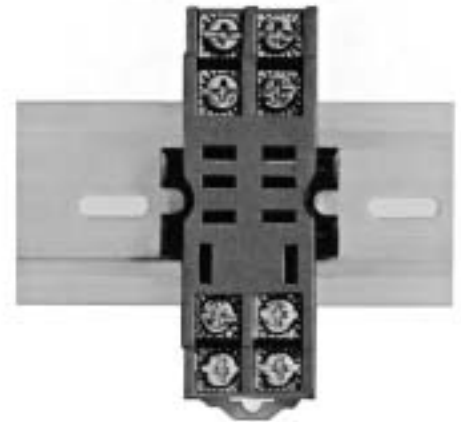
GR SERIES NOTE:

Terminals 1, 4 and 5 omitted on SPDT, 5 Pin models



GT SERIES

RELAY SOCKETS



DESCRIPTION 8 Pin Midget Sockets, DIN Rail Mountable

ELECTRICAL RATING

- 300 Volts, 10 Amps
- 150 Volts, 15 Amps

CONSTRUCTION

Contacts • Brass, Nickel Plated

Screws • Binder Head, 6 - 32 x 1/4" Steel, Zinc Plated

• Pressure Clamp, 6- 32 x 5/16" Steel, Zinc Plated, Wire Range #12 - #22 Solid or Stranded

Molding • Break Resistant Thermoplastic
Black Standard, Grey Available

AGENCY APPROVALS • UL recognized, File No. E60008



• CSA certified, File No. LR29513

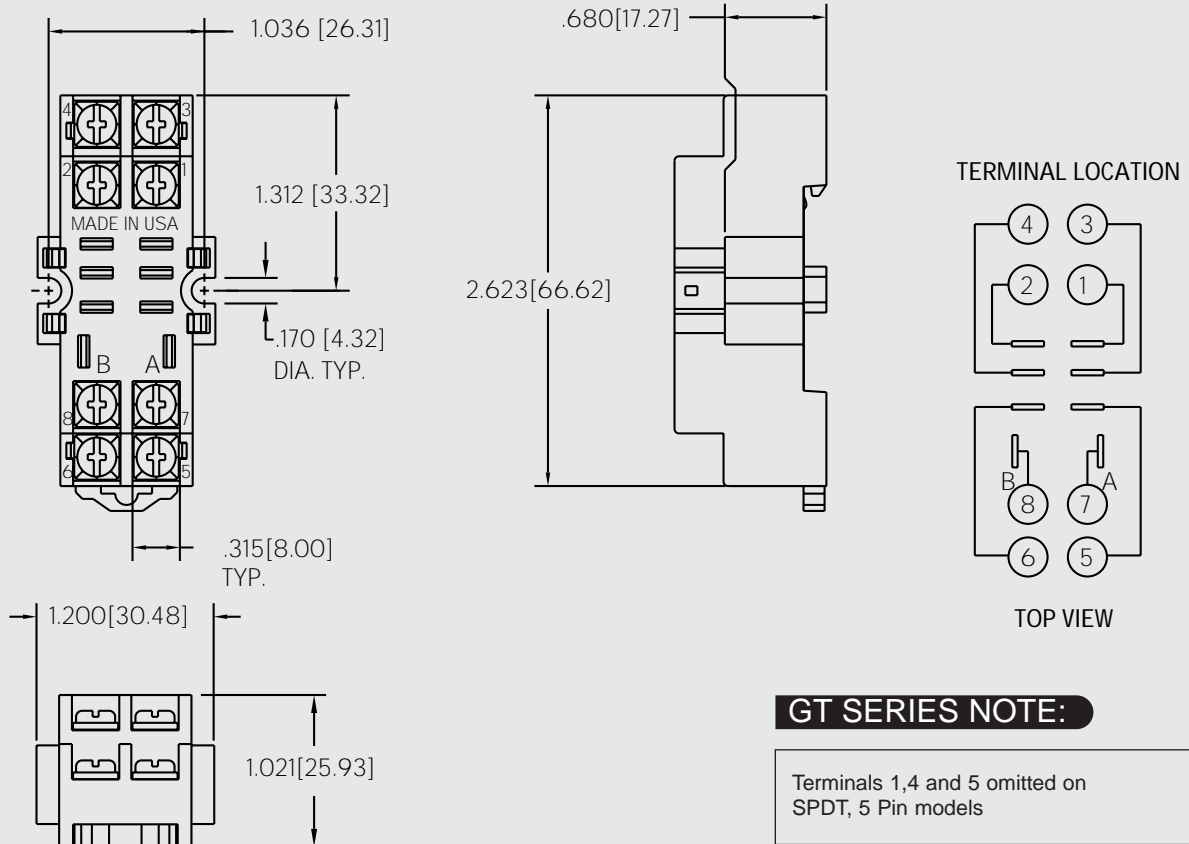
• CE

ORDERING CODE

PART NO.	DESCRIPTION	TERMINAL TYPE
GT05	SPDT, 5 Pin Midget	Binder Head Screws
GT05-PC	SPDT, 5 Pin Midget	Pressure Clamp Screws
GT08	DPDT, 8 Pin Midget	Binder Head Screw
GT08-PC	DPDT, 8 Pin Midget	Pressure Clamp Screws

ACCESSORIES

PART NO.	DESCRIPTION (Refer to the accessories pages 25-27)
C-103-PM	Prepunched Aluminum DIN Rail (1 Meter Lengths)
C-104-PM	Prepunched Steel DIN Rail (1 Meter Lengths)
C-105-PM	Prepunched Steel DIN Rail (1 Meter Lengths)
C-106-2PM	Prepunched Steel DIN Rail (2 Meter Lengths)
HDB-4	Hold Down Spring



RELAY SOCKET ACCESSORIES

DIN RAIL

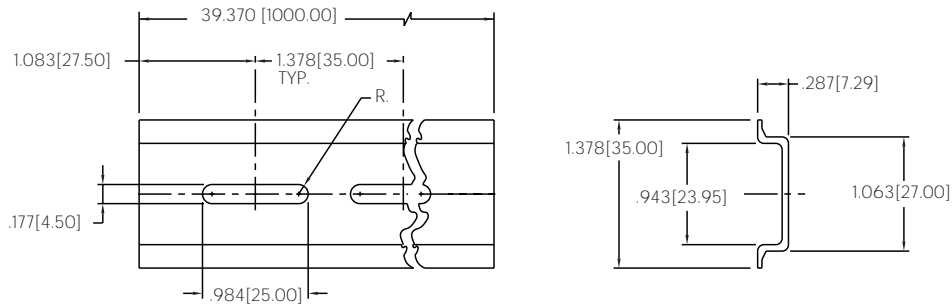
DRAWINGS & SPECIFICATIONS

PART NO.	DESCRIPTION	SERIES NO.
----------	-------------	------------

C-103-PM

Prepunched Aluminum DIN Rail (1 Meter Lengths)
(note: Other lengths available, consult factory)

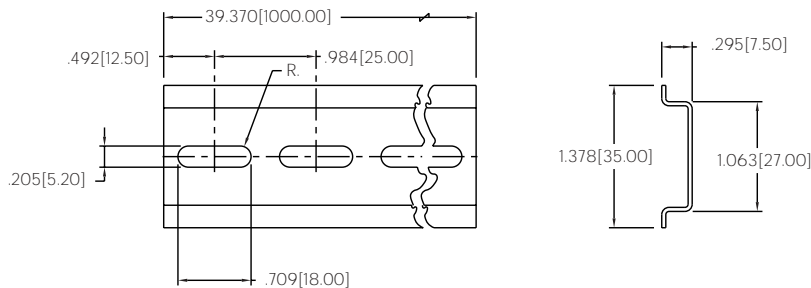
ES, GT, MT, OT, ST



C-104-PM

Prepunched Steel DIN Rail (1 Meter Lengths)
(note: Other lengths available, consult factory)

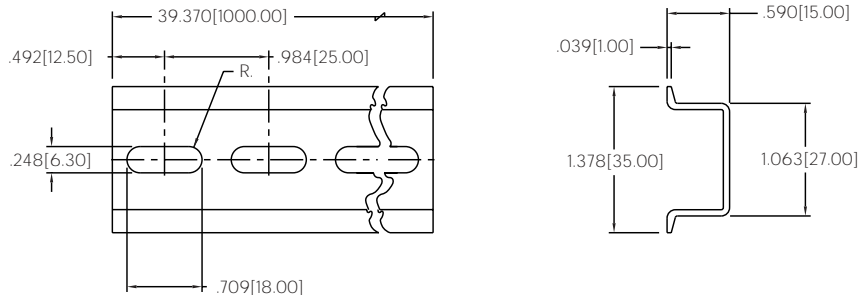
ES, GT, MT, OT, ST



C-105-PM

Prepunched Steel DIN Rail (1 Meter Lengths)
(note: Other lengths available, consult factory)

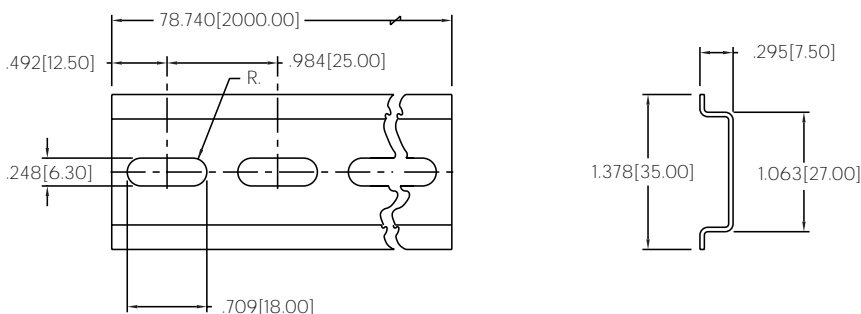
ES, GT, MT, OT, ST



C-106-2PM

Prepunched Steel DIN Rail (2 Meter Lengths)
(note: Other lengths available, consult factory)

ES, GT, MT, OT, ST

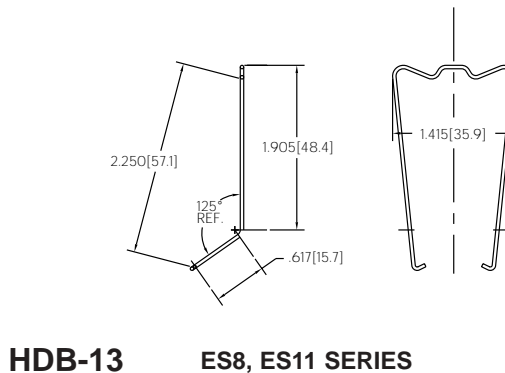
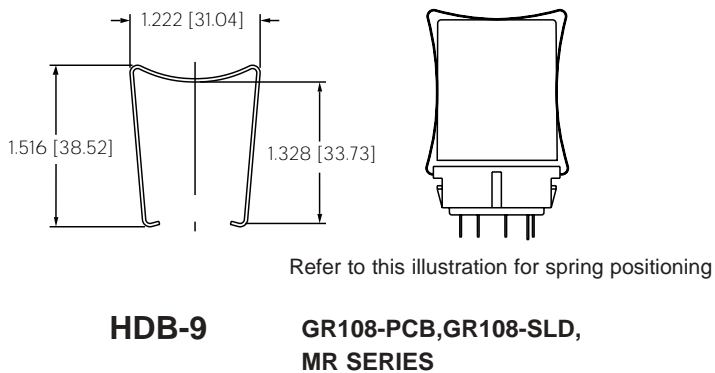
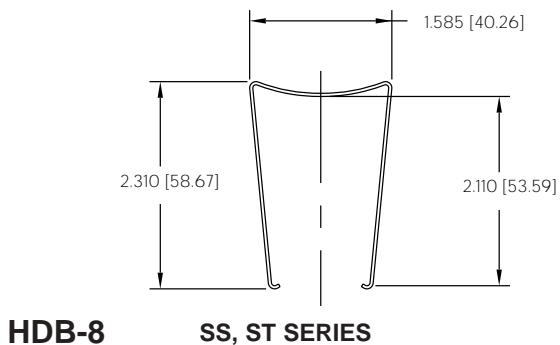
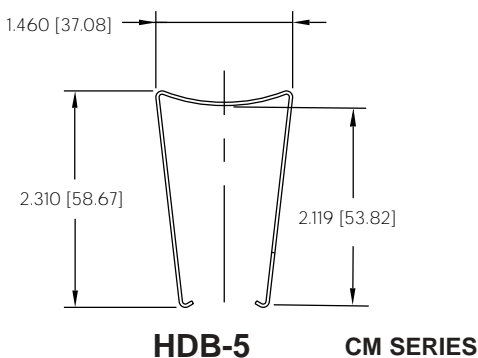
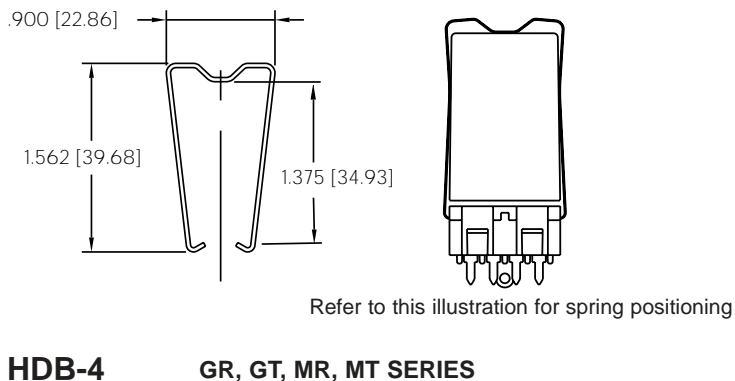
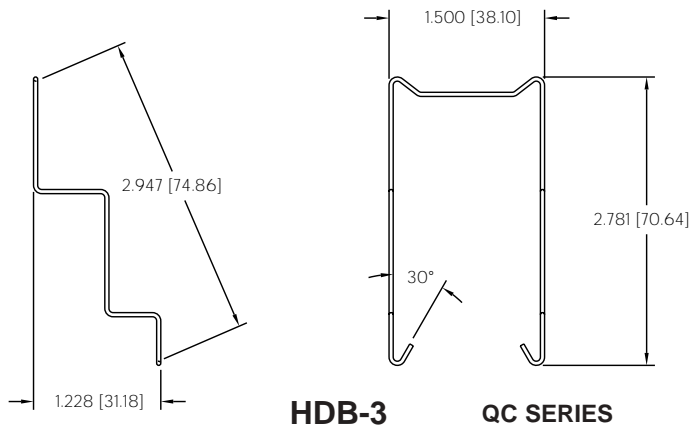


OTHER STYLES AND HOLE PATTERNS AVAILABLE. CONSULT FACTORY

RELAY SOCKET ACCESSORIES

HOLD DOWN SPRINGS

DRAWINGS & SPECIFICATIONS



ES15/4, ES15/2N, ES15/3N, ES15/4N

