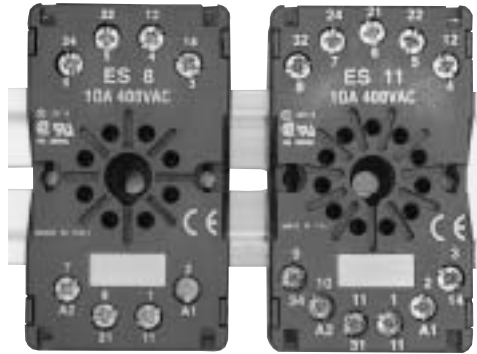


# ES SERIES

## RELAY SOCKETS



### DESCRIPTION

8 and 11 Pin Octal Sockets, DIN Rail Mountable, Finger Safe

### ELECTRICAL RATING

• 300 Volts, 10 Amps

### CONSTRUCTION

- Contacts** • Brass, Nickel Plated
- Screws** • M3 Steel, Nickel Plated, Maximum Wire Gauge #14
- Molding** • Break Resistant Thermoplastic

### AGENCY APPROVALS

- UL recognized, File No. E113714
- CSA certified, File No. LR26716
- CE



### ORDERING CODE

#### PART NO.

ES8  
ES11

#### DESCRIPTION

DPDT, 8 Pin Octal Style (Fig. 1) Box Lug  
3PDT, 11 Pin Octal Style (Fig. 2) Box Lug

#### TERMINAL TYPE

#### ACCESSORIES

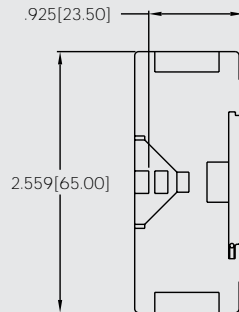
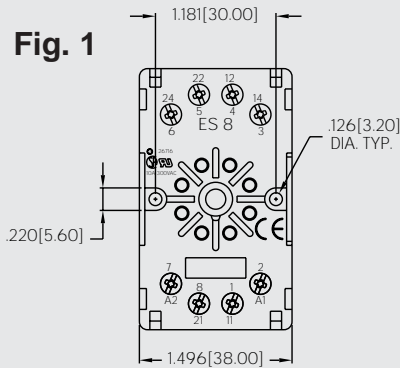
#### PART NO.

C-103-PM  
C-104-PM  
C-105-PM  
C-106-2PM  
HDB-13  
T

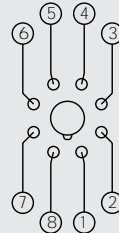
#### DESCRIPTION (Refer to the accessories pages 25-27)

Prepunched Aluminum DIN Rail (1 Meter Lengths)  
Prepunched Steel DIN Rail (1 Meter Lengths)  
Prepunched Steel DIN Rail (1 Meter Lengths)  
Prepunched Steel DIN Rail (2 Meter Lengths)  
Hold Down Spring  
Marking Plate

Fig. 1



TERMINAL LOCATION



TOP VIEW

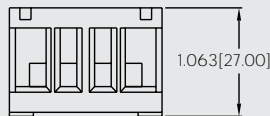
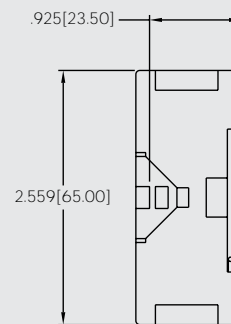
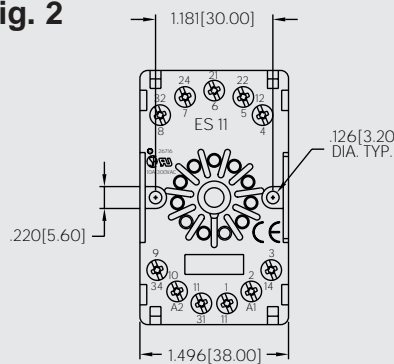
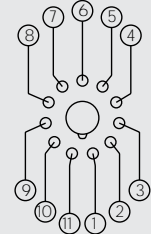


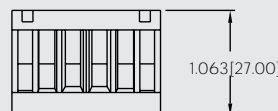
Fig. 2



TERMINAL LOCATION




TOP VIEW



ES

# OB SERIES

## RELAY SOCKETS

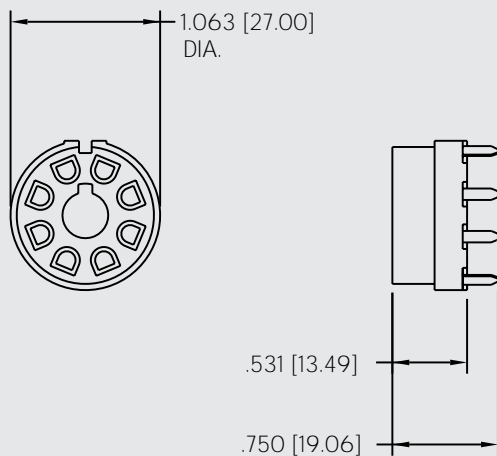
<b>DESCRIPTION</b>	8 and 11 Pin Octal Sockets	
<b>ELECTRICAL RATING</b>	• 300 Volts, 10 Amps	
<b>CONSTRUCTION</b>	<b>Contacts</b> • Phosphor Bronze, Tin Plated <b>Molding</b> • Break Resistant Thermoplastic	
<b>AGENCY APPROVALS</b>	<ul style="list-style-type: none"> <li>• UL recognized, File No. E60008</li> <li>• CSA certified, File No. LR29513</li> <li>• CE</li> </ul>	

### ORDERING CODE

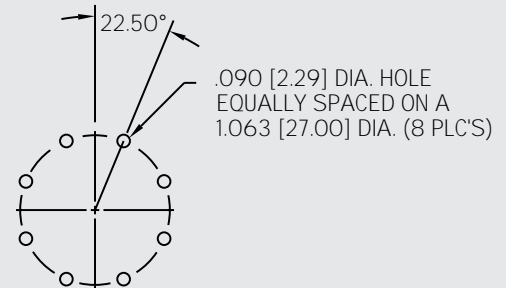
PART NO.	DESCRIPTION	TERMINAL TYPE
OB08-PCB	DPDT, 8 Pin Octal (Fig. 1)	PC Board
OB11-PCB	3PDT, 11 Pin Octal Style (Fig. 2)	PC Board



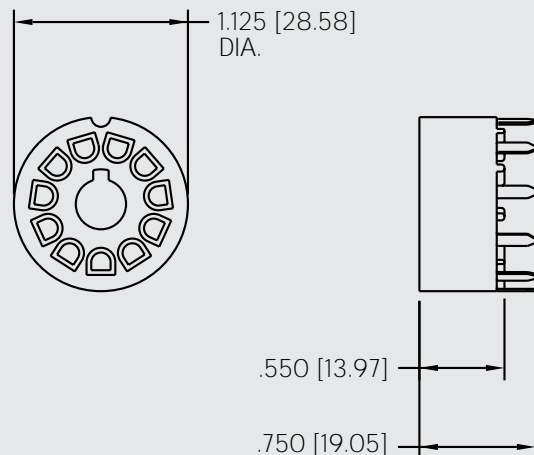
**Fig. 1**



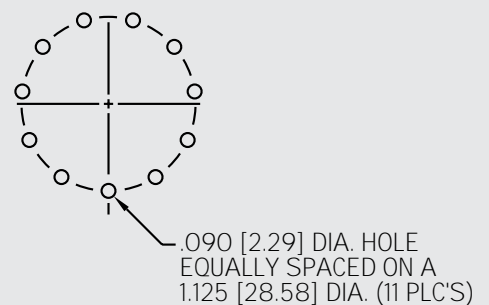
PC BOARD LAYOUT



**Fig. 2**

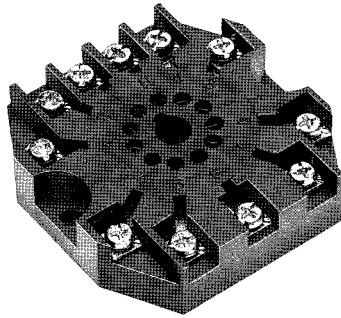
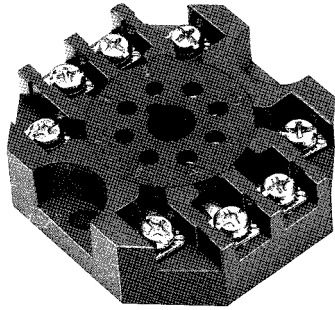


PC BOARD LAYOUT



# RB SERIES

## RELAY SOCKETS



### DESCRIPTION

8 and 11 Pin Octal Sockets

### ELECTRICAL RATING

- RB08, RB08-PC - 600 Volts, 10 Amps
- RB11, RB11-PC - 300 Volts, 10 Amps

### CONSTRUCTION

- Contacts** • Brass, Nickel Plated
- Screws** • 6 - 32 x 5/16" Steel, Zinc Plated; Pressure Clamp Wire Range #12-#22 Solid or Stranded
- Molding** • Break Resistant Thermoplastic

### AGENCY APPROVALS

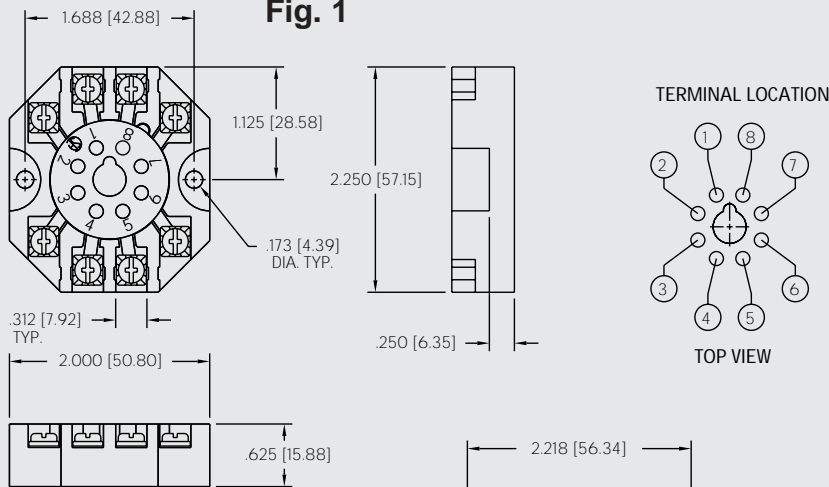
- UL recognized, File No. E60008
- CSA certified, File No. LR29513



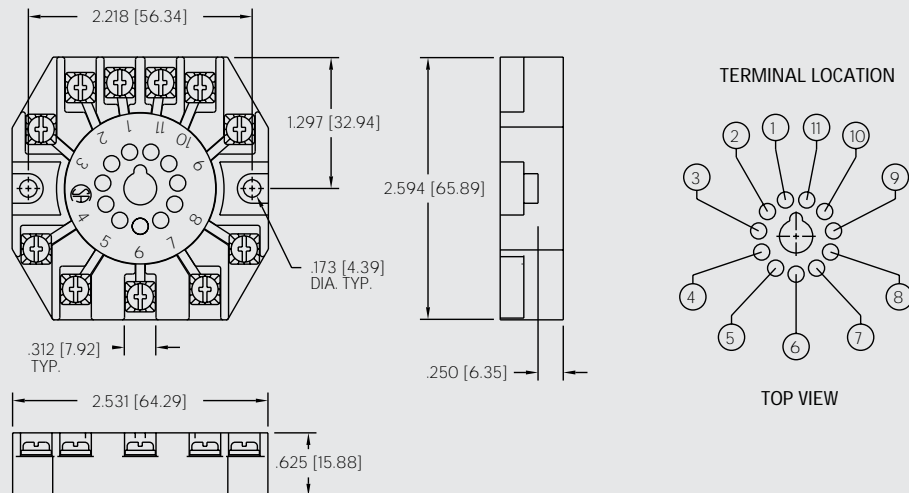
### ORDERING CODE

PART NO.	DESCRIPTION	TERMINAL TYPE
RB08	DPDT, 8 Pin Octal (Fig. 1)	Binder Head Screws
RB08-PC	DPDT, 8 Pin Octal (Fig. 1)	Pressure Clamp Screws
RB11	3PDT, 11 Pin Octal Style (Fig. 2)	Binder Head Screws
RB11-PC	3PDT, 11 Pin Octal Style (Fig. 2)	Pressure Clamp Screws

**Fig. 1**



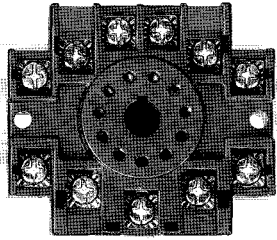
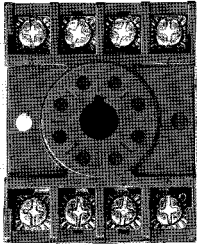
**Fig. 2**



**RB**

# OT SERIES

## RELAY SOCKETS



### DESCRIPTION

8 and 11 Pin Octal Sockets, DIN Rail Mountable

### ELECTRICAL RATING

- OT08 - 600 Volts, 10 Amps
- All others - 300 Volts, 10 Amps

### CONSTRUCTION

- Contacts** • Brass, Nickel Plated
- Screws** • Binder Head, 6 - 32 x 1/4" Steel, Zinc Plated
- Pressure Clamp, 6 - 32 x 5/16" Steel, Zinc Plated, Wire Range #12 - #22 Solid or Stranded
- Molding** • Break Resistant Thermoplastic Black Standard, Grey Available

### AGENCY APPROVALS

- UL recognized, File No. E60008
- CSA certified, File No. LR29513
- CE



### ORDERING CODE

#### PART NO.

#### DESCRIPTION

#### TERMINAL TYPE

OT08	DPDT, 8 Pin Octal (Fig. 1)	Binder Head Screws
OT08-PC	DPDT, 8 Pin Octal (Fig. 1)	Pressure Clamp Screws
OT11	3PDT, 11 Pin Octal Style (Fig. 2)	Binder Head Screws
OT11-PC	3PDT, 11 Pin Octal Style (Fig. 2)	Pressure Clamp Screws

### ACCESSORIES

#### PART NO.

#### DESCRIPTION (Refer to the accessories pages 25-27)

C-103-PM	Prepunched Aluminum DIN Rail (1 Meter Lengths)
C-104-PM	Prepunched Steel DIN Rail (1 Meter Lengths)
C-105-PM	Prepunched Steel DIN Rail (1 Meter Lengths)
C-106-2PM	Prepunched Steel DIN Rail (2 Meter Lengths)

Fig. 1

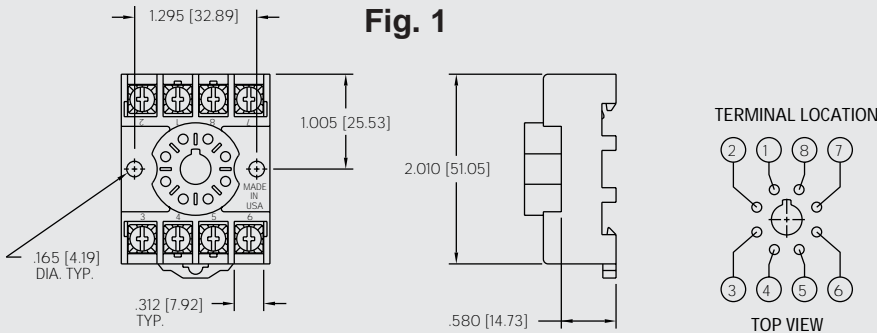
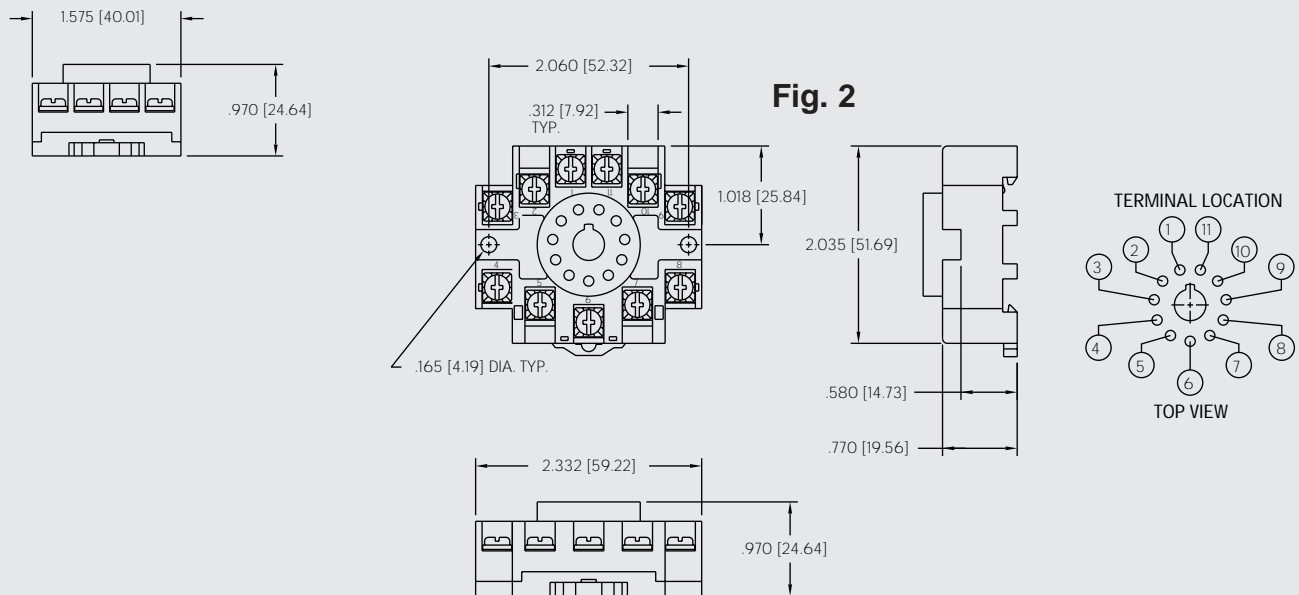


Fig. 2



OT

# RELAY SOCKET ACCESSORIES

DIN RAIL

DRAWINGS & SPECIFICATIONS

PART NO.

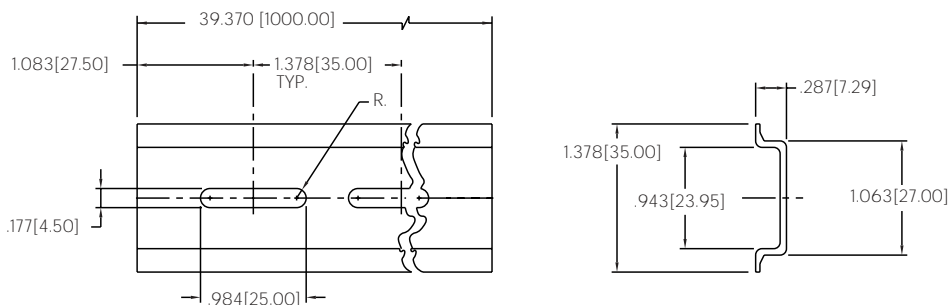
DESCRIPTION

SERIES NO.

C-103-PM

Prepunched Aluminum DIN Rail (1 Meter Lengths)  
(note: Other lengths available, consult factory)

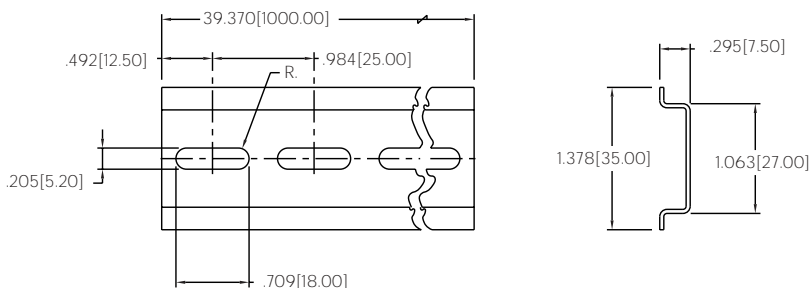
ES, GT, MT, OT, ST



C-104-PM

Prepunched Steel DIN Rail (1 Meter Lengths)  
(note: Other lengths available, consult factory)

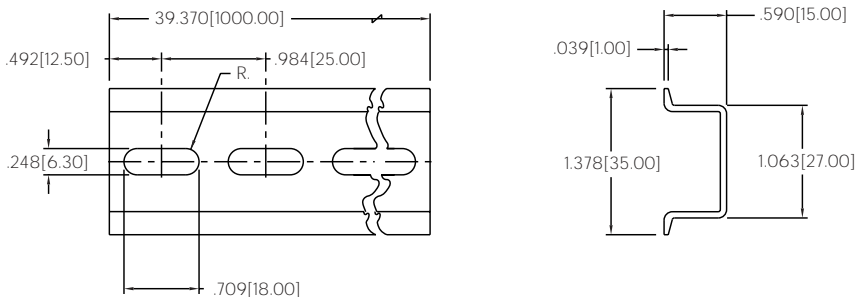
ES, GT, MT, OT, ST



C-105-PM

Prepunched Steel DIN Rail (1 Meter Lengths)  
(note: Other lengths available, consult factory)

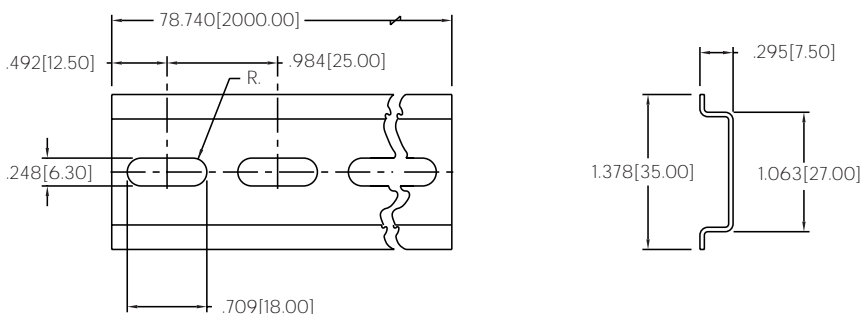
ES, GT, MT, OT, ST



C-106-2PM

Prepunched Steel DIN Rail (2 Meter Lengths)  
(note: Other lengths available, consult factory)

ES, GT, MT, OT, ST



**OTHER STYLES AND HOLE PATTERNS AVAILABLE. CONSULT FACTORY**